



Approved Components List

Foundry

For component manufacturing
of the Volkswagen Group
“Trade-specific part”

Version date: 01. January 2021
Version: 2.3

Change history

Version	Date:	Type of change
1.8	01.01.2016	Editorial updates (Version 1.8) New release list for foundry only added.
1.9	01.01.2017	Editorial updates (Version 1.9)
2.0	01.01.2018	Editorial updates (Version 2.0)
2.1	01.01.2019	Editorial updates (Version 2.1) Adapt template to cover page and structure of corporate template component. Changed: Contacts updated
2.2	01.01.2020	Editorial updates (Version 2.2) Changed: Contacts updated
2.3	01.01.2021	Editorial updates (Version 2.3) Changed: Phone number contact person Andreas Frank. Changed: Section "2.3 3D models" added. Changed: Hyperlinks updated.

Note:

This document completes the release list for operating materials for mechanics for the component manufacturing of the Volkswagen Group "Technology-specific part". For this document, we reserve the right of ownership and copyright.

The VOLKSWAGEN AG particularly reserves all rights for a technical use for the provided information in these specifications, including the application and issuing of industrial property rights.

Changes to content are highlighted in **grey**.

Table of contents

Change history	2
1. Contacts:	4
2. Notes:	5
2.1 Purpose	5
2.2 General information	5
2.3 3D models	5
3. Overview:	6
3.1 Grease pumps	6
3.1.1 GMV-A	6
3.1.2 GMV-B	6
3.1.3 GMA-C.B.	7
3.1.4 GMG-B	7
3.1.5 GMF-B	7
3.2 Progressive distributors	8
3.2.1 VPA – base-plate mounted	8
3.2.2 VPB – unit-block system	8
3.2.3 VPI – element-based system	8
3.3 Flow regulators and delimiters	9
3.4 Dual-line distributors	9
3.4.1 VZE and VZF, unit-block system	9
3.4.2 VZB, element-based system	9
3.5 Flow controllers	10
3.5.1 Progressive flow control	10
3.5.2 Gear-based flow control	10
3.6 Equipment	10
3.6.1 Hoses	10
3.7 Hydraulic filters	10
3.7.1 Line filters	10

1. Contacts:

Eugen WOERNER GmbH & Co. KG
 Hafenstraße 2
 D - 97877 Wertheim
 Phone: +49 (0) 9342 803-0
 Fax: +49 (0) 9342 803-202
 E-Mail: info@woerner.de

	Responsible	Contact data
Andreas Frank Key Account Manager Volkswagen	Support of locations worldwide	Phone: +49 (0) 9342 803-330 Mobile: +49 (0) 176 22 87 69 53 Fax: +49 (0) 9342 803-202 E-Mail: a.frank@woerner.de
Field service Germany	Responsible	Contact data
Georg Remm Sales Area Manager North	Support of locations: Braunschweig, Chemnitz, Dresden, Emden, Hannover, Kassel, Osnabrück, Salzgitter, Wolfsburg, Zwickau	Leipziger Straße 16 D – 30982 Pattensen Phone: +49 (0) 176 22 87 69 54 E-Mail: g.remm@woerner.de
Sales office service Germany	Responsible	Contact data
Cornelia Nenner Sales office service		Phone: +49 (0) 9342 803-312 Fax: +49 (0) 9342 803-202 E-Mail: c.nenner@woerner.de
Sandra Beck Sales office service		Phone: +49 (0) 9342 803-310 Fax: +49 (0) 9342 803-202 E-Mail: s.beck@woerner.de

2. Notes:

2.1 Purpose

The basis for the following approval list is the specification sheet Mechanics for the Component Production of the Volkswagen Group in the respective current issue. The respective requirements and restrictions must be observed.

2.2 General information

The department for offers and projects of WOERNER GmbH & Co. KG is responsible for creation and updating of the approval list.

The contents as well as the layout of the release list were specified in cooperation with Volkswagen AG.

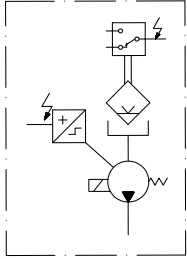


2.3 3D models

All products marked with "3D models" in the "Documentation" field are available for download via a link from the homepage of Eugen WOERNER GmbH & Co. KG. All products without this marking, are available as a 3D model in STEP format, but must be obtained from our contact persons (see chapter 1).

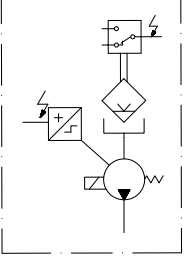



3. Overview:

3.1 Grease pumps

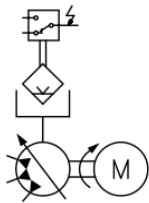

3.1.1 GMV-A

Description	Symbol	Illustration	Documentation
<p>GMV-A piston pump Solenoid or pneumatic cylinder Different connections for reservoirs and cartridges System Lube Shuttle (400 g) or Cartridge System Reiner (500 g) Level monitoring 1 outlet 25 ... 30 mm³</p>			<p> datasheet</p>

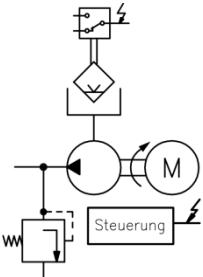

3.1.2 GMV-B

Description	Symbol	Illustration	Documentation
<p>GMV-B piston pump Solenoid or Pneumatic drive Reservoir for grease cartridges acc. to DIN 1283 (400 g) Level monitoring 1 outlet 25 ... 30 mm³</p>			<p> datasheet  3D models</p>

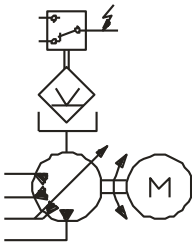

3.1.3 GMA-C.B

Description	Symbol	Illustration	Documentation
<p>GMA-C pump unit</p> <p>Multi-line piston pump</p> <p>Speed 1, 4, 5 or 25 rpm</p> <p>Polyester container 5 or 10 litres with min. / max. level control through grease follower piston or float switch</p> <p>1 to 4 pump elements</p> <p>0.08 to 0.22 cm³/stroke each</p>			<p>datasheet</p> <p>3D models</p>

3.1.4 GMG-B

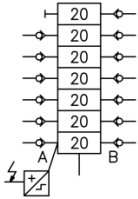

Description	Symbol	Illustration	Documentation
<p>GMG-B pump unit</p> <p>Multi-line piston pump</p> <p>Speed 30 rpm</p> <p>Polyamide container 4 litres with minimum level monitoring</p> <p>1 or 2 pump elements</p> <p>0.04 to 0.16 cm³/stroke each</p>			<p>datasheet</p> <p>3D models</p>

3.1.5 GMF-B

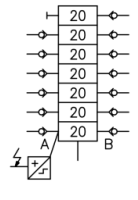

Description	Symbol	Illustration	Documentation
<p>GMF-B pump unit</p> <p>Multi-line piston pump</p> <p>Number of strokes 1 to 25 1/min.</p> <p>Polyester container 5, 10 or 30 litres</p> <p>Steel container 2, 4, 7 or 25 litres with min./max. level control</p> <p>1 to 10 pump elements</p> <p>0.08, 0.15 or 0.22 cm³/stroke each</p>			<p>datasheet</p> <p>3D models</p>

3.2 Progressive distributors

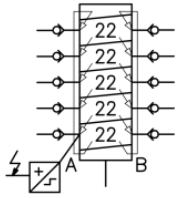

3.2.1 VPA – base-plate mounted

Description	Symbol	Illustration	Documentation
<p>Progressive distributor Base-plate mounted Material: Aluminium or bronze 6 to 20 outlets Various operating controls Metering volume 0.09 to 3.7 cm³</p>			<p>datasheet 3D models</p>

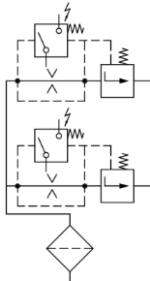

3.2.2 VPB – unit-block system

Description	Symbol	Illustration	Documentation
<p>Progressive distributor Unit-block system Material: Aluminium or bronze 6 to 20 outlets Various operating controls Metering volume 0.05 to 0.20 cm³</p>			<p>datasheet 3D models</p>

3.2.3 VPI – element-based system

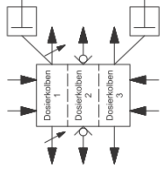

Description	Symbol	Illustration	Documentation
<p>Progressive distributor Unit-block system Directional control valves and flow control valves to be attached 6 to 20 outlets Various operating controls Metering volume 0.10 to 3.70 cm³</p>			<p>datasheet 3D models</p>

3.3 Flow regulators and delimiters

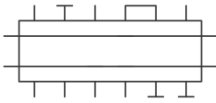
Description	Symbol	Illustration	Documentation
<p>Flow regulator Flow rate from 0.1 to 5 l/min infinitely variable</p> <p>Flow delimiter Flow rate from 0.5 to 16 l/min adjustable with orifices</p>			<p>VUA datasheet</p> <p>VUK datasheet</p> <p>VUL datasheet</p>

3.4 Dual-line distributors

3.4.1 VZE and VZF, unit-block system



Description	Symbol	Illustration	Documentation
<p>Dual-line distributor Unit-block system material: Steel or stainless steel 2 to 8 outlets Optical or electrical monitoring metering volume up to 3.0 cm³</p>			<p>VZE datasheet</p> <p>VZF datasheet</p>

3.4.2 VZB, modular design



Description	Symbol	Illustration	Documentation
<p>Dual-line distributor Element-based system Material: Aluminum 2 to 12 outlets Optical or electrical monitoring Metering volume up to 7.0 cm³</p>			<p>datasheet</p>

3.5 Flow controllers

3.5.1 Progressive flow control



Description	Symbol	Illustration	Documentation
<p>Progressive flow control for oil and grease max. 700 respectively 70 cm³/min One switching pulse per every 0.8 or 1.2 cm³</p>			datasheet

3.5.2 Gear-based flow control

Description	Symbol	Illustration	Documentation
<p>Flow control with pair of gearwheels for oil and grease 0 ... 2.5 l/min Operating pressure up to 700 bar</p>			datasheet

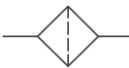

3.6 Equipment

3.6.1 Hoses

Description	Symbol	Illustration	Documentation
<p>Hydraulic hose assemblies to be used as lubricating lines for self-installation Nominal width 6 ... 10 mm Pipe fitting: Straight or 90° bent Fittings made from steel for nominal widths 4 and 6 mm, also made from 1.4571</p>			datasheet

3.7 Hydraulic filters

3.7.1 Line filters

Description	Symbol	Illustration	Documentation
<p>Single-flow filter for grease and low-viscosity grease for line assembly up to 350 bar</p>			datasheet